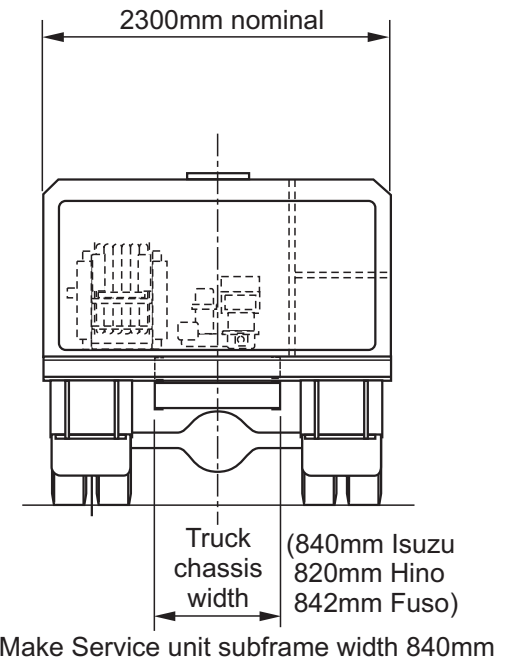
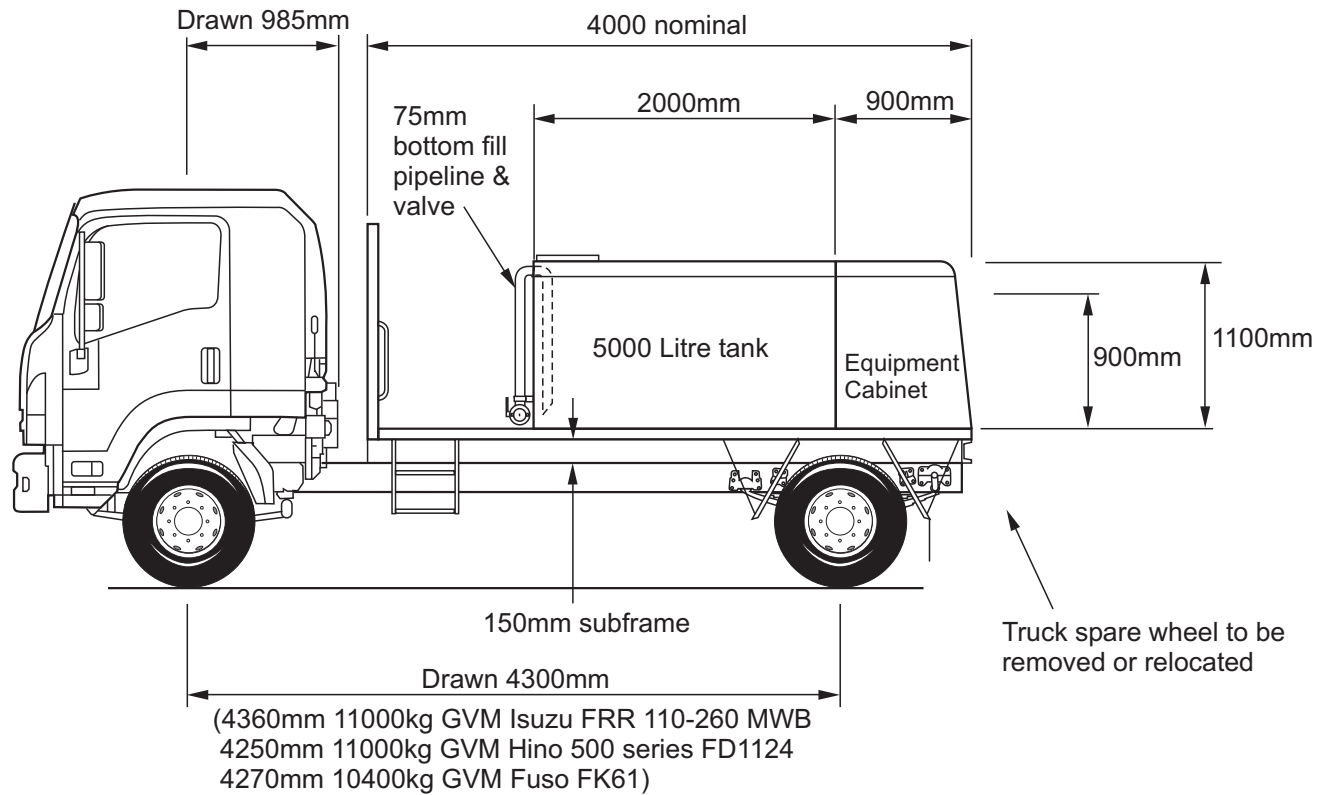


APPROXIMATE WEIGHT DISTRIBUTION

	STEER	DRIVE	TOTAL
CAB/CHASSIS	2270 kg	1220 kg	3490 kg
SERVICE UNIT	657 kg	1843 kg	2500 kg
FUEL 5000L @ 0.84	1001 kg	3199 kg	4200 kg
TOTAL	3928 kg	6262 kg	10190 kg
TYPICAL LIMITS (Isuzu & Hino)	4000 kg	7600 kg	11000 kg



**FOR DISCUSSION PURPOSES ONLY**

DRAWN	KK	<p>ROAD TANKERS PTY. LTD.</p>	DRAWING NO.	0012		
DATE	23-2-17		TITLE	SHEET SIZE	A4	
SCALE	NTS		PROPOSED FIELD SERVICE UNIT	REVISION	0	23-2-17