

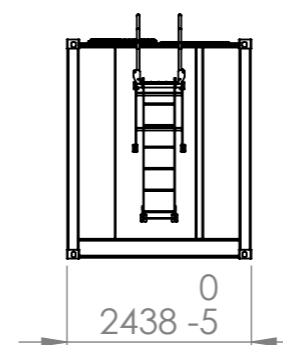
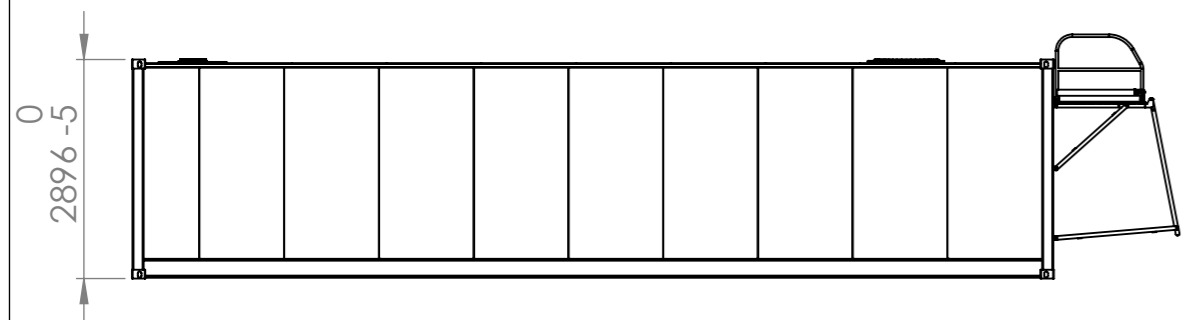
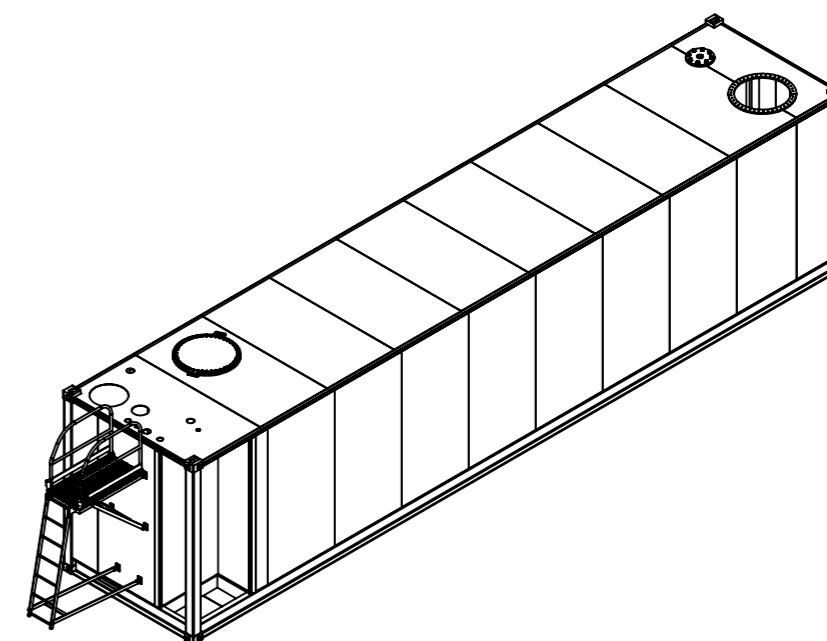
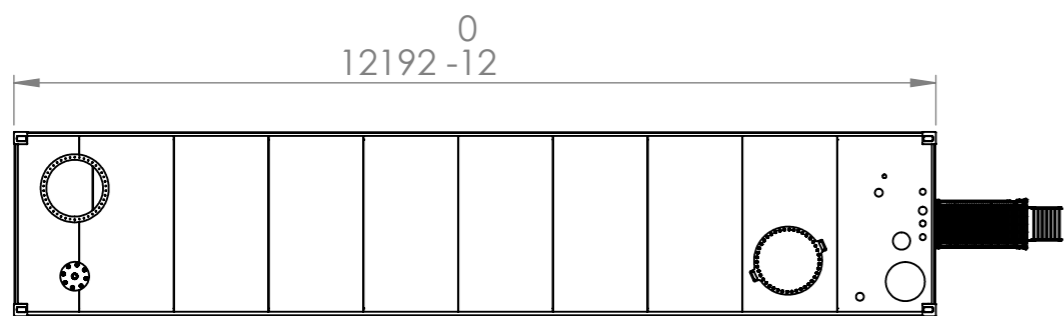
DO NOT SCALE FROM DRAWING. IF IN DOUBT: ASK

UNLESS OTHERWISE SPECIFIED, ALL DIMENSIONS ARE IN MILLIMETRES

BEWARE OF 100mm MEASURING ERROR

TANK DATA

TANK CONTENTS:	DIESEL
DESIGNED TO:	UL 142, ULC S601
BUILT TO:	UL 142, ULC S601
PLATE THICKNESS	6MM
GROSS VOLUME:	72,580L / 19,160 G
HYD.TEST PRESSURE:	Gross level+150mm
SAFE FILL LEVEL	68,950L / 18,200 G
N.D.T	
TOTAL MASS:	15,500KG / 34,100 LB



THIRD ANGLE PROJECTION

COPYRIGHT © 2014
THE CONTENTS OF THIS DRAWING
REMAINS THE PROPERTY OF
GLOBAL ENGINEERING SOLUTIONS.
CONTENTS MAY NOT BE
COPIED OR REPRODUCED UNLESS
PREVIOUSLY AUTHORISED



Regus Shui On 2/F
Shui On Centre
6-8 Harbour Road
Wanchai Hong Kong

TITLE:

DRAWN BY: S.Lowrie

SHEET 1 OF 1

DATE: 9/19/2016

SCALE: N.T.S.

CUSTOMER: GES

TOLERANCE U.N.O.
0 = +1.0
0.0 = +0.4
0.00 = +0.1

DWG NO. / PART NO.
Assem2

SHEET SIZE
A3

MATERIAL:

REVISION
01