



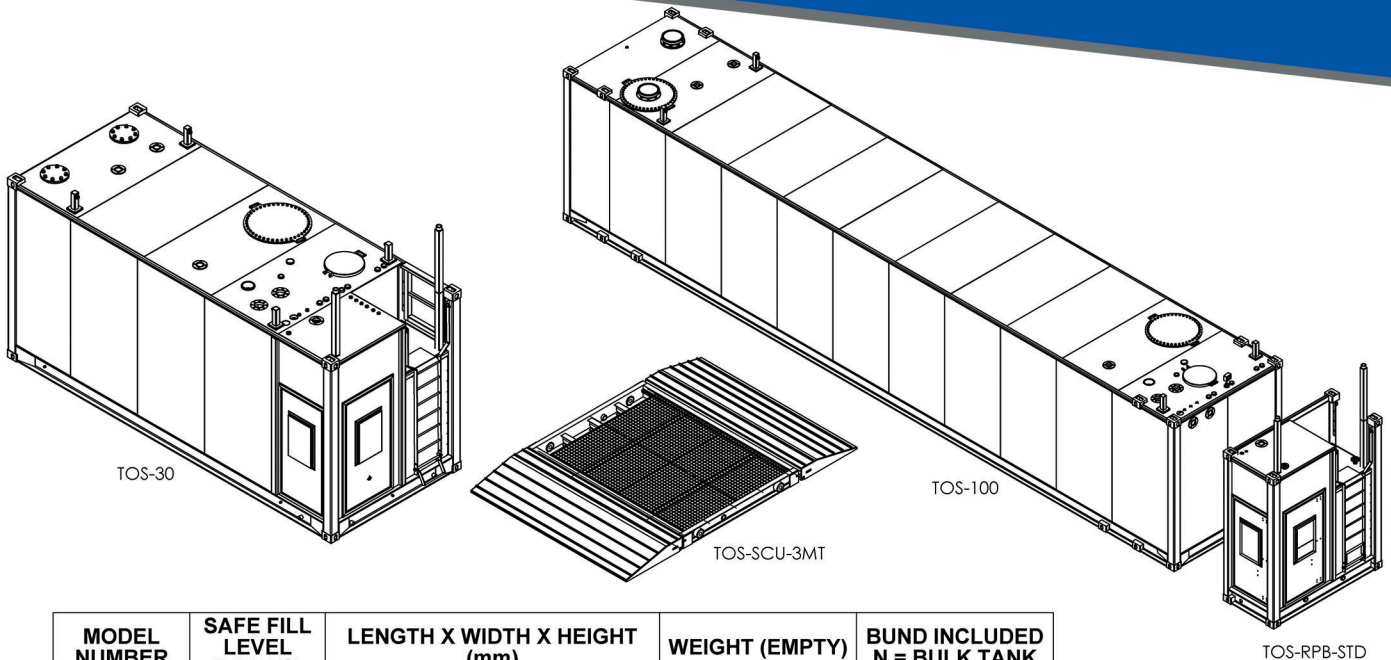
**SELF BUNDED BULK STORAGE
TANKS 20KL TO 110KL**

PUMPING OPTIONS

UP TO 400 LPM DISPENSERS

TANK GAUGING

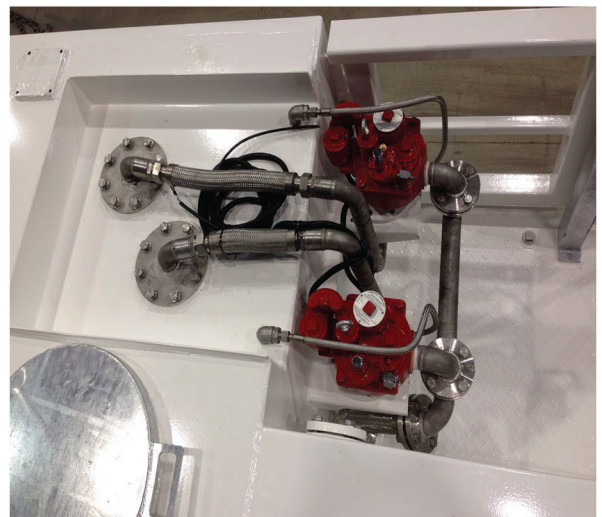
FUEL MANAGEMENT SYSTEM



MODEL NUMBER	SAFE FILL LEVEL (LITRES)	LENGTH X WIDTH X HEIGHT (mm)			WEIGHT (EMPTY)	BUND INCLUDED N = BULK TANK
TOS-12	11,000	2990	2438	2896	7900	Y
TOS-18	17,100	2990	2438	2896	8000	N
TOS-30	28,500	6058	2438	2896	8500	Y
TOS-38	35,000	6058	2438	2896	14000	N
TOS-68	64,500	12192	2438	2896	14050	Y
TOS-75	70,688	12192	2438	2896	16000	N
TOS-84	81,000	13716	2438	2896	16800	N
TOS-100	95,000	14038	2438	3200	17456	N
TOS-110	110,000	14038	2438	3635	19850	N
TOS-RPB-STD	N/A	1133	2438	2896	1200	N/A
TOS-SCU-3MT	N/A	2917	2150	200	1035	N/A

* SHIPPING NOT INCLUDED, RESTRICTIONS APPLY

- 1600 LPM 3 INCH FAILSAFE OVERFILL VALVE
- INTERNAL ROOM FOR MOUNTING OF CONTROL EQUIPMENT
- SLOPING FLOOR TO MAXIMIZE FUEL DISCHARGE.
- HOT DIPPED GALVANIZE PARTS ON ALL TANKS
- STAINLESS STEEL FASTENERS FITTED
- FILL PIPE FITTED WITH BALLVALVE, CHECK VALVE AND CAMLOC FITTINGS
- EMERGENCY VENTS FITTED AS STANDARD
- AUDIBLE ALARM SUPPLIED.
- DISPENSER MOUNTS SUPPLIED
- ELECTRICAL MOUNTS FITTED TO BACK WALL
- DECALS SUPPLIED AS STANDARD
- LADDER TO FRONT OR RIGHT HAND SIDE
- LOCKABLE DOORS TO ALL SIDES
- EARTH POINTS TO ALL SIDES
- 3 INCH SUCTION PIPE WITH BALL VALVE FITTED
- 3 X TURBINE MOUNTS FITTED
- 700MM MANWAY FOR EASE OF ENTRY
- STATIC LINE MOUNTS FITTED FOR WORKING AT HEIGHTS
- CUT OUTS STD TO ALL SIDES FOR OPT MOUNTING



TANKS ON SITE AUSTRALIA

SAFE CLEAN SECURE

1300 210 480